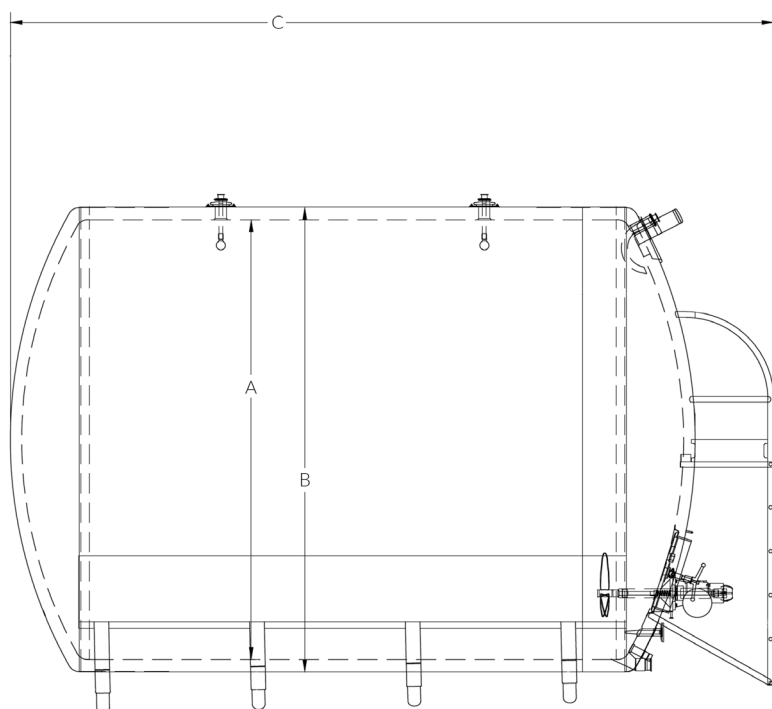


Round Horizontal Storage Tanks



U.S. GALLONS	A (ID)	B (OD)	C OAH	WEIGHT (LBS)
1,500	72	78-3/4	108	3,700
2,000	72	78-3/4	137	4,300
2,500	84	90-3/4	159	4,400
3,000	84	90-3/4	180	5,300
3,000	91-1/4	98-1/4	180	5,200
4,000	91-1/4	98-1/4	198	5,900
4,000	95-3/4	102-3/4	187	5,800
5,000	95-3/4	102-3/4	219	7,100
5,000	107	113-3/4	191	6,900
6,000	95-3/4	102-3/4	251	8,300
6,000	107	113-3/4	217	8,100
7,000	95-3/4	102-3/4	284	9,500
7,000	107	113-3/4	243	9,300
8,000	107	113-3/4	267	10,800
8,000	120	126-3/4	230	10,600
9,000	120	126-3/4	251	11,300
10,000	120	126-3/4	271	12,100

Nozzle Schedule Includes:

- Manway 16" x 20" w/ Sample
- 2" x 3" No-Foam Inlet
- 3" Outlet
- Horizontal Agitator
- Level Gauge Sleeve
- Indicating Thermowell
- Recording Thermowell
- (2) Sprayball assemblies
- Vent screen & cap
- Sight Glass w/ Light

Additional notes:

- Product Contact 304L Stainless w/ 32 Ra Finish
- Exterior: Carbon Steel w/ White Urethane Paint
- 3" Fiberglass Insulation on Heads
- 3" EPS Insulation on Sidewall w/ Perlite under supports
- CIPA-H (Clean-in Place Agitator)
- Legs with adjustable ball feet
- Includes support stringers and rings
- Tank is atmospheric rated

Optional Items:

- Product Contact available in 316L or Duplex
- Exterior available in 304L or 201 stainless
- Bulkhead design w/ 32 Ra front head assembly
- Vertical agitation for a variety of products
- Dual vertical agitation also available
- Heat transfer surface, Dimple Jacket or Laser
- Stainless ladder & platform
- Ask DCI, Inc. Sales for other options available

