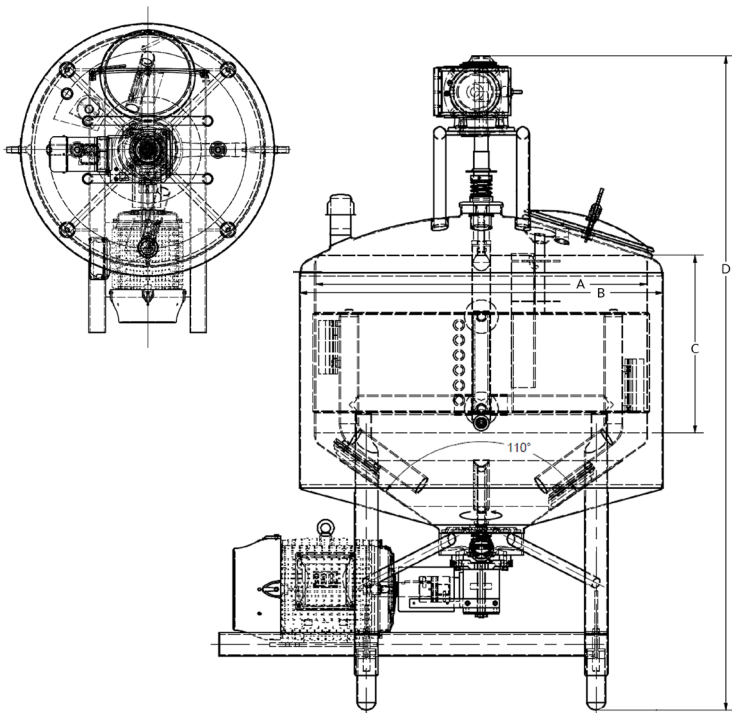
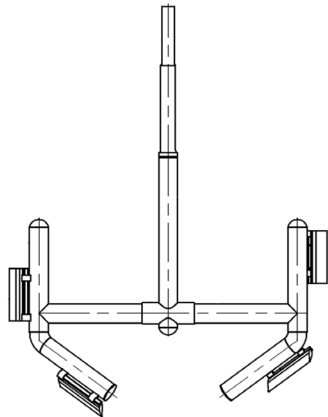


Dynamixer Processor



U.S. GALLONS	A (ID)	B (OD)	C (SS)	D (OAH)	WEIGHT (LBS)
100	41.25	46.25	17	91	2270
200	49.5	54.25	24	98	3375
300	49.5	54.25	36	112	4515
400	49.5	54.25	48	124	5620
500	61.5	66.5	37	113	6900
600	61.5	66.5	45	121	7870
700	61.5	66.5	53	129	8860
800	72	77.5	43	122	10,095
900	72	77.5	48	127	11,040
1000	72	77.5	54	133	12,425
1200	84	88.75	46	131	15,195
1500	84	88.75	58	143	15,425

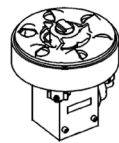


Additional notes:

- 50,000 cp max through 500 gallon
- 10,000 cp max larger than 500 gallon
- Includes single cup agitation
- Water flush seal is standard
- (2) single sprayballs std
- 32 Ra ID, 40 Ra OD, BB legs & EP MNT
- 316L/316 product contact is std
- 16 Ga 304 dimple jacket std
- Insulation and sheathing
- Top rotary seal is std
- Tanks are atmospheric rated

Nozzle Schedule Includes:

- 2" TC inlet
- 18" A-100 manway
- 3" TC outlet
- (4) or (6) 1.5" male NPT DJ connections
- (2) 3" TC CIP mounts
- (2) 1.5" TC CIP inlets
- 3" vent screen
- 1.25" NEF thermowell
- 4" or 6" TC agitator mount
- 12" seal housing



SINGLE CUP



SINGLE CUP WITH CHOPPERS



DOUBLE CUP

Optional Items:

- Product Contact: other alloys & finishes available
- Non-Product Contact: other alloys & finishes available
- See images for available standard agitator options
- (2) optional baffles with retaining clip
- Stainless ladder & platform
- Ask DCI, Inc. Sales for other options available

