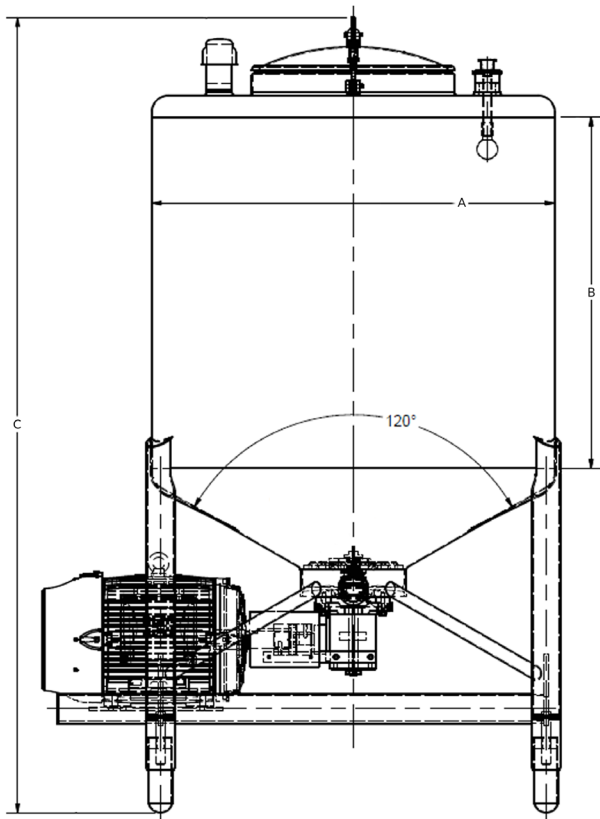


Dynamixer



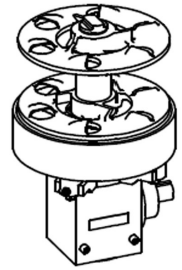
| U.S. GALLONS | A (I.S.) | B (SS) | C OAH | WEIGHT (LBS) |
|--------------|----------|--------|-------|--------------|
| 25 | 27 | 8 | 50.25 | 400 |
| 50 | 27 | 17 | 59.25 | 430 |
| 100 | 40 | 16 | 61 | 1030 |
| 200 | 40 | 30 | 75.5 | 1100 |
| 300 | 40 | 45 | 90.5 | 1220 |
| 400 | 48 | 42 | 95.25 | 1350 |



SINGLE CUP



SINGLE CUP WITH CHOPPERS



DOUBLE CUP

Nozzle Schedule Includes:

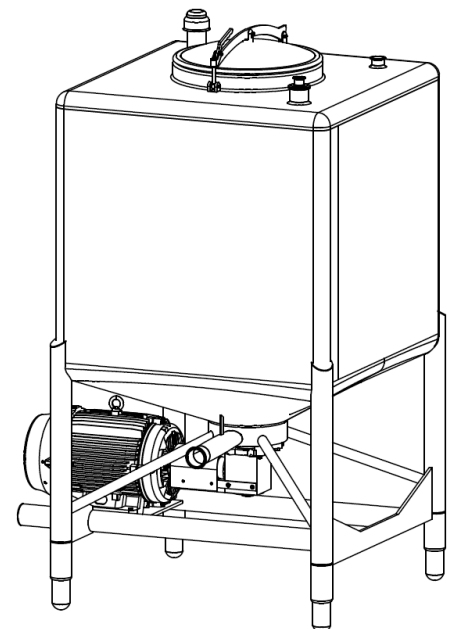
- 2" TC inlet
- 18" A-100 manway
- 3" TC maximum outlet 100 Gal & above, 2.5" for rest
- 3" TC CIP mount
- 1.5" TC CIP inlet
- 3" vent screen 100 Gal & above, 2" for rest
- 12" seal housing

Additional notes:

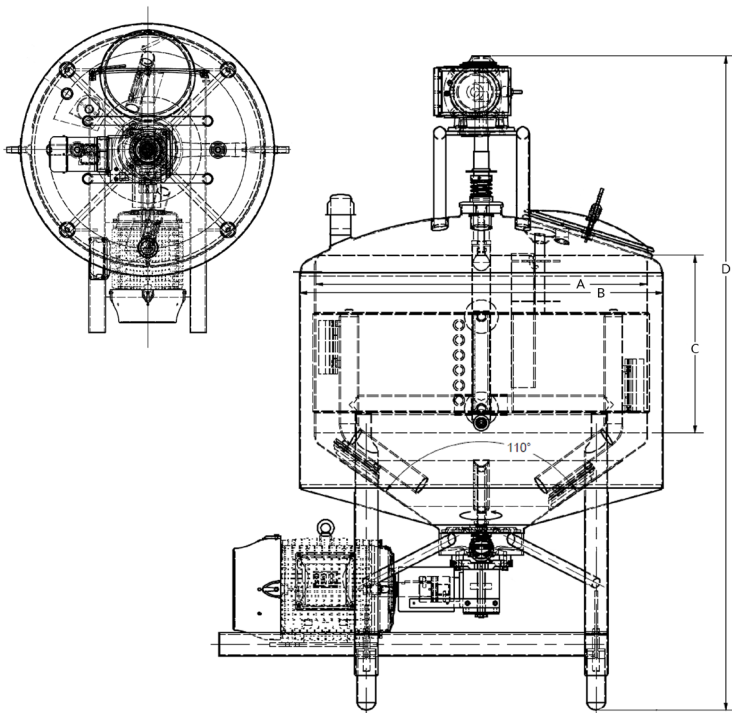
- 50,000 cp max through 500 gallon
- Includes single cup agitation
- Waterflushed seal standard
- (1) single sprayballs std
- 32 Ra ID, 40 Ra OD, BB legs
- 316L/316 product contact is std.
- Adjustable ball feet standard
- Seismic Zone 0 standard
- Tanks are atmospheric rated

Optional Items:

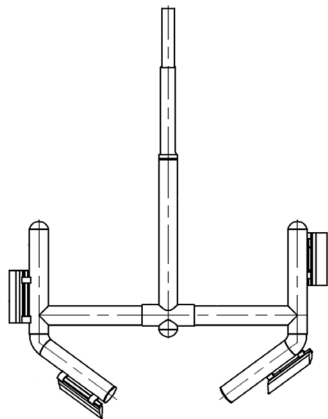
- Product Contact: other alloys & finishes available
- Non-Product Contact: other alloys & finishes available
- See images for available standard agitator options
- Heat transfer surface, dimple jacket or laser
- Insulation and sheathing
- Stainless ladder & platform
- Ask DCI, Inc. Sales for other options available



Dynamixer Processor



| U.S. GALLONS | A (ID) | B (OD) | C (SS) | D (OAH) | WEIGHT (LBS) |
|--------------|--------|--------|--------|---------|--------------|
| 100 | 41.25 | 46.25 | 17 | 91 | 2270 |
| 200 | 49.5 | 54.25 | 24 | 98 | 3375 |
| 300 | 49.5 | 54.25 | 36 | 112 | 4515 |
| 400 | 49.5 | 54.25 | 48 | 124 | 5620 |
| 500 | 61.5 | 66.5 | 37 | 113 | 6900 |
| 600 | 61.5 | 66.5 | 45 | 121 | 7870 |
| 700 | 61.5 | 66.5 | 53 | 129 | 8860 |
| 800 | 72 | 77.5 | 43 | 122 | 10,095 |
| 900 | 72 | 77.5 | 48 | 127 | 11,040 |
| 1000 | 72 | 77.5 | 54 | 133 | 12,425 |
| 1200 | 84 | 88.75 | 46 | 131 | 15,195 |
| 1500 | 84 | 88.75 | 58 | 143 | 15,425 |

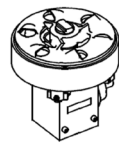


Additional notes:

- 50,000 cp max through 500 gallon
- 10,000 cp max larger than 500 gallon
- Includes single cup agitation
- Water flush seal is standard
- (2) single sprayballs std
- 32 Ra ID, 40 Ra OD, BB legs & EP MNT
- 316L/316 product contact is std
- 16 Ga 304 dimple jacket std
- Insulation and sheathing
- Top rotary seal is std
- Tanks are atmospheric rated

Nozzle Schedule Includes:

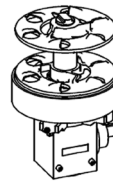
- 2" TC inlet
- 18" A-100 manway
- 3" TC outlet
- (4) or (6) 1.5" male NPT DJ connections
- (2) 3" TC CIP mounts
- (2) 1.5" TC CIP inlets
- 3" vent screen
- 1.25" NEF thermowell
- 4" or 6" TC agitator mount
- 12" seal housing



SINGLE CUP



SINGLE CUP WITH CHOPPERS



DOUBLE CUP

Optional Items:

- Product Contact: other alloys & finishes available
- Non-Product Contact: other alloys & finishes available
- See images for available standard agitator options
- (2) optional baffles with retaining clip
- Stainless ladder & platform
- Ask DCI, Inc. Sales for other options available

