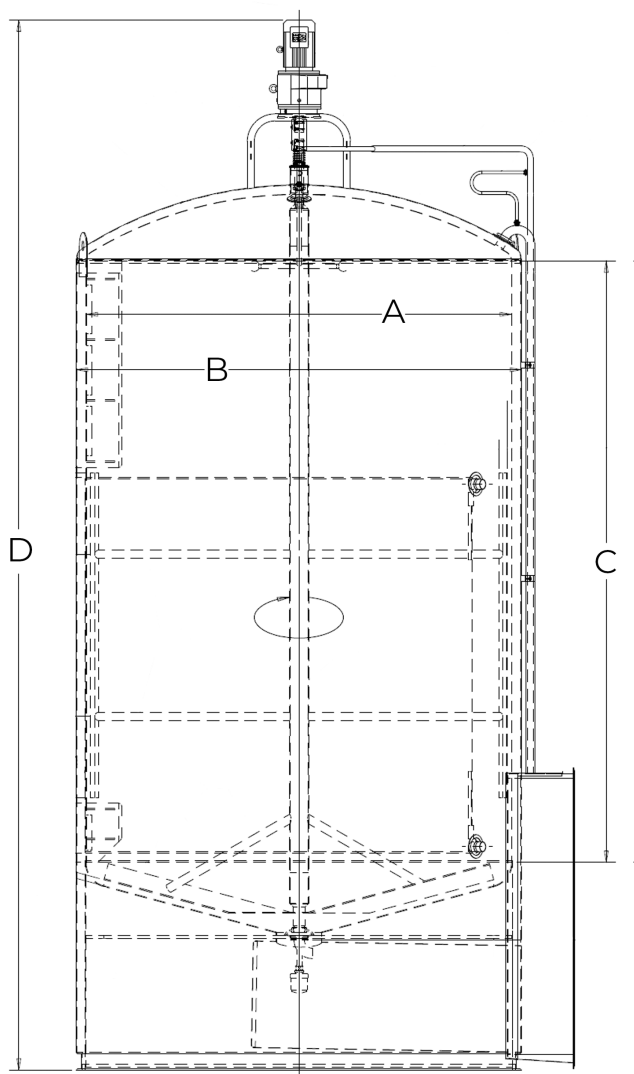
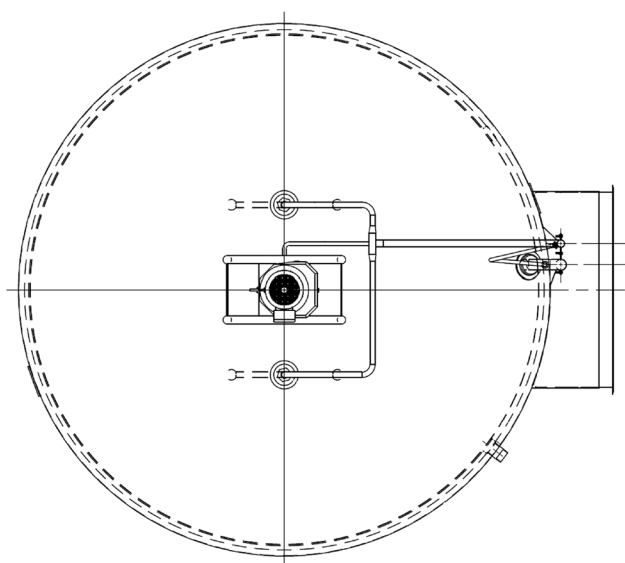


Crystallizer - Outdoor Whey - 023044



U.S. GALLONS	A (ID)	B (OD)	C (SS)	D (OAH)	WEIGHT (LBS)
5000	107.75	114.50	120	280.5	9250
6000	107.75	114.50	144	304.5	10,000
10,000	120	126.75	199	368.25	11,700
10,000	132	138.75	162	330.75	13,000
12,000	132	138.75	198	366.75	14,000
15,000	144	150.75	204	378	15,000
20,000	144	150.75	276	450	19,000



Additional notes:

- Product Contact: 304L Stainless w/ 32 Ra Finish
- Exterior: Carbon Steel w/ White Urethane Paint
- Alcove w/ tunnel access to outlet valve
- Heat Transfer (1) zone on sidewall
- 3" Fiberglass insulation on top & bottom head
- 3" EPS insulation on sidewall
- Side & Bottom Sweep agitator
- Agitator baffles included as needed
- Designed for 1.3 SG, 1,000 CPS max
- Tank is atmospheric rated
- Built to 3A standards

Nozzle Schedule Includes:

- 16" x 20" Manway w/ sample
- 2" Inlet
- 3" Outlet Valve
- Agitator Fitting
- Level Gauge Sleeve
- Indicating Thermowell w/ 5" dial thermometer
- Recording Thermowell
- 3" Vent/Overflow Line
- 2" CIP Line
- (2) CIP T-ball assembly
- Heat Transfer Connections

Optional Items:

- Product Contact: other alloys & finishes available
- Non-Product Contact: other alloys & finishes available
- Alcove available in various sizes
- Insulations available for higher temperatures
- Heat tapes and insulation for lines
- Other line sizes available for higher GPM rates
- Stainless ladder & circular railing
- Ask DCI, Inc. Sales for other options available



DCI, Inc.
600 North 54th Ave
St. Cloud, MN 56303
Phone: 320-252-8200
www.dciinc.com

Stay up to date with everything DCI, Inc.!



07/08/19 Rev-0