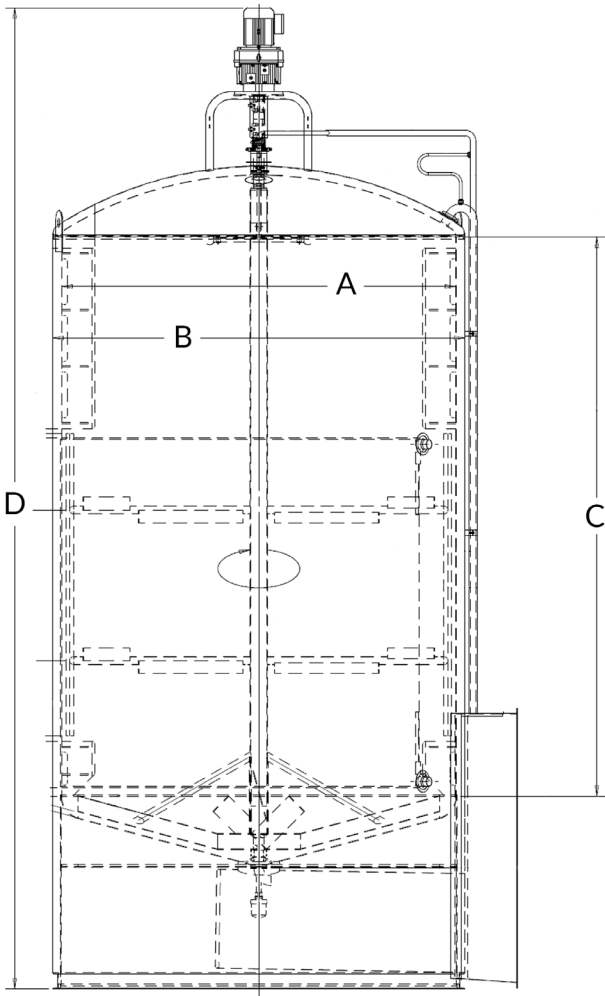
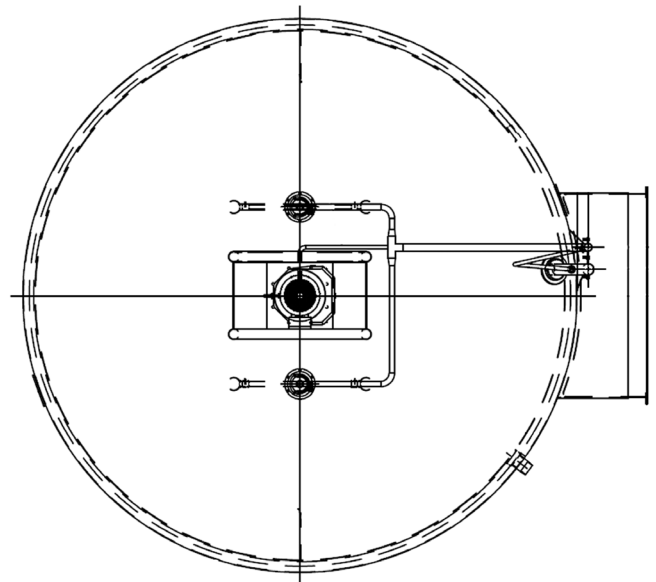


Crystallizer - Outdoor Lactose - 091486



| U.S. GALLONS | A (ID) | B (OD) | C (SS) | D (OAH) | WEIGHT (LBS) |
|--------------|--------|--------|--------|---------|--------------|
| 5000 | 107.75 | 114.5 | 120 | 288 | 9500 |
| 5000 | 107.75 | 114.5 | 144 | 312 | 10,000 |
| 10,000 | 120 | 126.75 | 199 | 374 | 12,000 |
| 10,000 | 132 | 138.75 | 162 | 334 | 13,400 |
| 12,000 | 132 | 138.75 | 198 | 370 | 14,800 |
| 15,000 | 144 | 150.75 | 204 | 378 | 15,800 |
| 20,000 | 144 | 150.75 | 276 | 450 | 19,800 |



Additional notes:

- Product Contact: 304L Stainless w/ 32 Ra Finish
- Exterior: Carbon Steel w/ White Urethane Paint
- Alcove w/ tunnel access to outlet valve
- Heat Transfer (1) zone on sidewall
- 3" Fiberglass insulation on top & bottom head
- 3" EPS insulation on sidewall
- Side & Bottom Sweep agitator w/ pushers & pullers
- Agitator baffles included as needed
- Designed for 1.3 SG, 1,000 CPS max
- Tank is atmospheric rated
- Built to 3A standards

Nozzle Schedule Includes:

- 16" x 20" Manway w/ sample
- 2" Inlet
- 3" Outlet Valve
- Agitator Fitting
- Level Gauge Sleeve
- Indicating Thermowell w/ 5" dial thermometer
- Recording Thermowell
- 3" Vent/Overflow Line
- 2" CIP Line
- (2) CIP T-ball assembly
- Heat Transfer Connections

Optional Items:

- Product Contact: other alloys & finishes available
- Non-Product Contact: other alloys & finishes available
- Alcove available in various sizes
- Insulations available for higher temperatures
- Heat tapes and insulation for lines



DCI, Inc.
600 North 54th Ave
St. Cloud, MN 56303
Phone: 320-252-8200
www.dciinc.com

Stay up to date with everything DCI, Inc.!



07/08/19 Rev-0