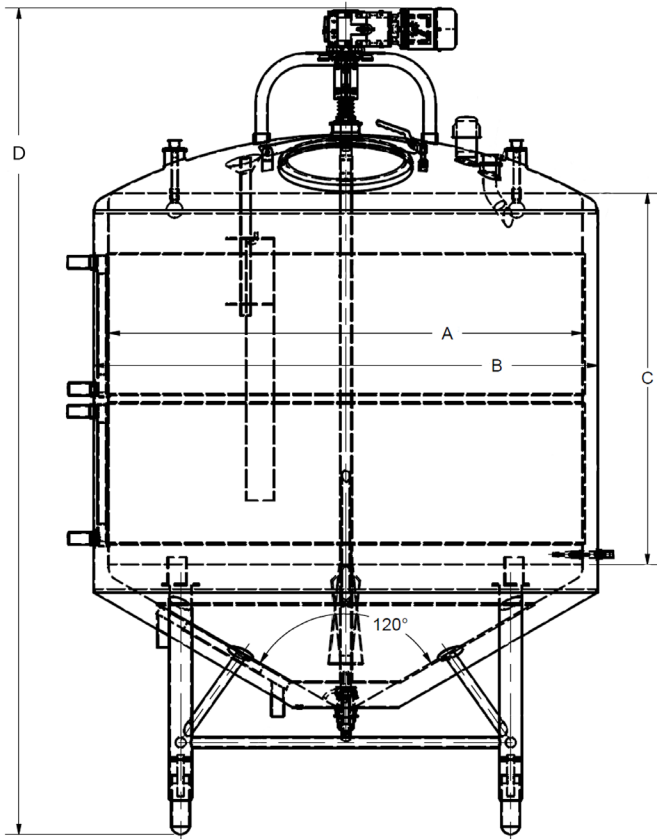


PWP-30CB Coned Bottom Processors



U.S. GALLONS	A (ID)	B (OD)	C (S.S.)	D (OAH)	WEIGHT LBS
200	49-1/2	54-1/4	26-5/8	85-3/4	1125
300	49-1/2	54-1/4	38-5/8	97-3/4	1300
400	61-1/2	66-1/2	33-5/8	98-1/4	1525
500	61-1/2	66-1/2	40-5/8	105-1/4	1650
600	61-1/2	66-1/2	47-7/8	112-1/2	1725
600	72	76-3/4	35-5/8	104-1/2	2000
800	72	76-3/4	47-7/8	116-3/4	2200
800	84	88-3/4	34-5/8	111-1/4	2250
1,000	72	76-3/4	58-5/8	127-1/2	2350
1,000	84	88-3/4	43-5/8	120-1/4	2550
1,000	91-1/2	96-1/4	35-5/8	116	2500
1,500	84	88-3/4	63-5/8	141-1/4	2950
1,500	95-3/4	100-3/4	47-7/8	136-1/4	3300
2,000	86	90-3/4	79-5/8	157-3/4	3800
2,000	91-1/2	96-1/4	70-5/8	151	3750
2,000	95-3/4	100-3/4	64-5/8	153	3700
2,500	95-3/4	100-3/4	79-5/8	168	4200
3,000	102	106-3/4	84-5/8	175-3/4	4500

Nozzle Schedule Includes:

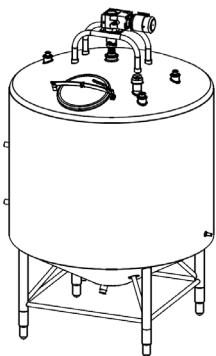
- 18" A-100 Manway
- 2" x 3" No-Foam Inlet
- 3" Outlet
- Agitator Fitting
- Level Gauge Sleeve
- Indicating Thermowell
- Recording Thermowell
- (2) Sprayball assemblies
- Vent screen & cap
- Heat transfer connections

Additional notes:

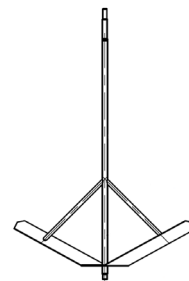
- Product Contact: 304L Stainless w/ 32 RA Finish
- Non-Product Contact 304L Stainless w/ 32 Ra Finish
- Full sidewall & bottom heat transfer in (3) zones
- 2" Fiberglass & Thuralox on sidewall & bottom
- Adjustable removable agitation baffle
- Legs with adjustable ball feet
- Designed for 1.15 SG, 10,000 CPS max
- Tank is atmospheric rated
- Built to 3A standards

Optional Items:

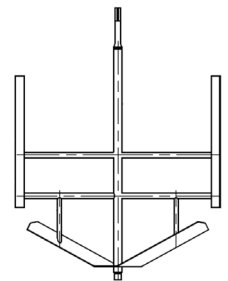
- Product Contact: other alloys & finishes available
- Non-Product Contact: other alloys & finishes available
- See images for available standard agitator options
- Dual agitation: offset (most cost effective) and co-axial
- Pasteurizer option
- Heat transfer surface, dimple jacket or laser
- Stainless ladder & platform
- Ask DCI, Inc. Sales for other options available



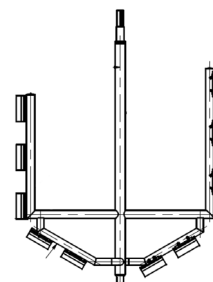
Bottom Sweep Agitator



Bottom & Side Sweep Agitator



Scraper Agitator



Axial Turbine Agitator

