

Round Horizontal STORAGE TANKS

A complete series of insulated tanks
with custom options for every product requirement



STANDARD FEATURES:

Include 304 stainless steel product contact surfaces with #4 polish, primed carbon steel exterior, heat transfer surface, 3" insulation, adjustable sanitary legs with stringer supports, ladder with platform, thermometer wells, 5" dial thermometer, 3" outlet, 2" no-foam inlet, sanitary vent, sight glass with light, 16" x 20" manway with sampler, CIP fixture, transmitter sleeve, and end-mount agitator.

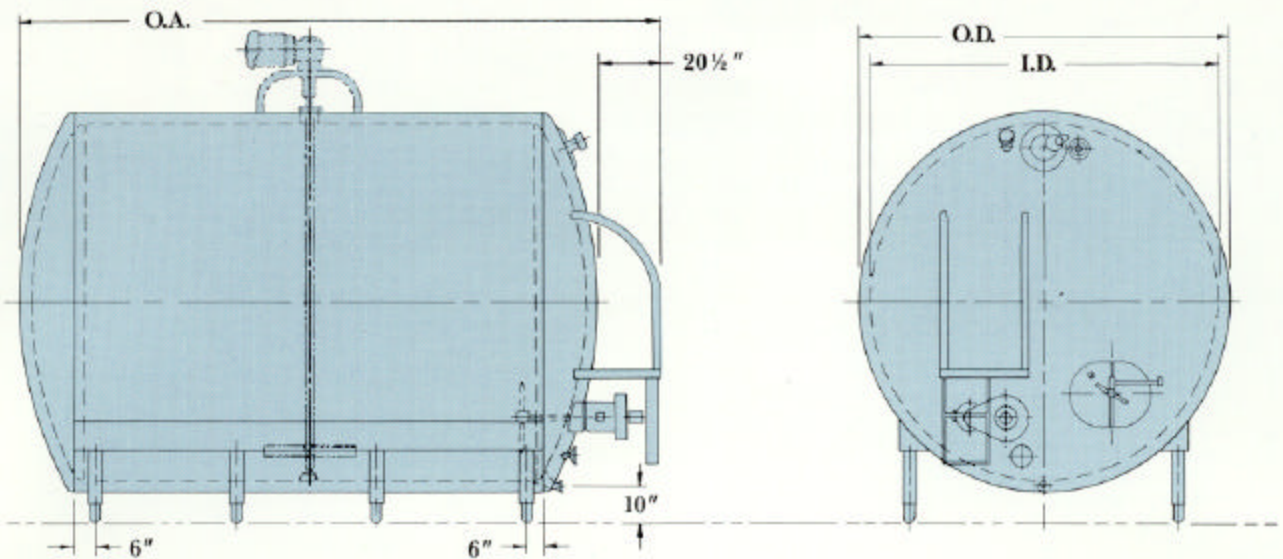
OPTIONS:

Bulkhead design, 304 stainless steel exterior with #4 polish, special exterior finishes, load cell mounting, valves, and vertical agitator.

ADVANCED AGITATION:

Custom designed for ultimate in sanitation and mixing. V-belt or gearhead hollowshaft-designed end-mount units. CIPA-H design available as an option for end-mount units. Vertical agitators also available.





TABULATED CAPACITIES & DIMENSIONS OF DCI STANDARD INSULATED ROUND HORIZONTAL

U.S. GALLONS	I.D.	O.D.	O.A.	LEGS PER SIDE	EMPTY WGT. LBS.
1,500	72"	78 3/4"	132"	3	3,700
2,000	72"	78 3/4"	159"	3	4,300
2,500	84"	90 3/4"	154"	3	4,400
3,000	84"	90 3/4"	175"	3	5,300
3,000	91 1/4"	98 3/4"	158"	3	5,200
4,000	91 1/4"	98 3/4"	193"	3	5,900
4,000	95 3/4"	102 3/4"	181"	3	5,800
5,000	95 3/4"	102 3/4"	213"	4	7,100
5,000	107"	113 3/4"	187"	4	6,900
6,000	95 3/4"	102 3/4"	245"	5	8,300
6,000	107"	113 3/4"	213"	5	8,100
7,000	95 3/4"	102 3/4"	278"	5	9,500
7,000	107"	113 3/4"	239"	5	9,300
8,000	107"	113 3/4"	263"	5	10,800
8,000	120"	126 3/4"	225"	5	10,600
9,000	120"	126 3/4"	246"	6	11,300
10,000	120"	126 3/4"	266"	6	12,100

NOTES:

1. Approximate dimensions and weights, NOT for construction purposes.
2. Overall length stated is based on single 24" platform and/or end-mount agitator.
3. Diagram shows end-mount agitator. Top-mount agitator adds approximately 20" - 24" to overall height.
4. Pitched 3/4" per foot.



An
Employee
Owned
Company

DCI, Inc.
Corporate Offices
 600 North 54 Avenue (56303)
 P.O. Box 1227 (56302)
 St. Cloud, MN
 Phone: 320-252-8200
 Toll Free: 800-276-7599
 Fax: 320-252-0866
 email: sales@dcinc.com
 http://www.dciinc.com



**Quality Fabrication In
One Central Location**