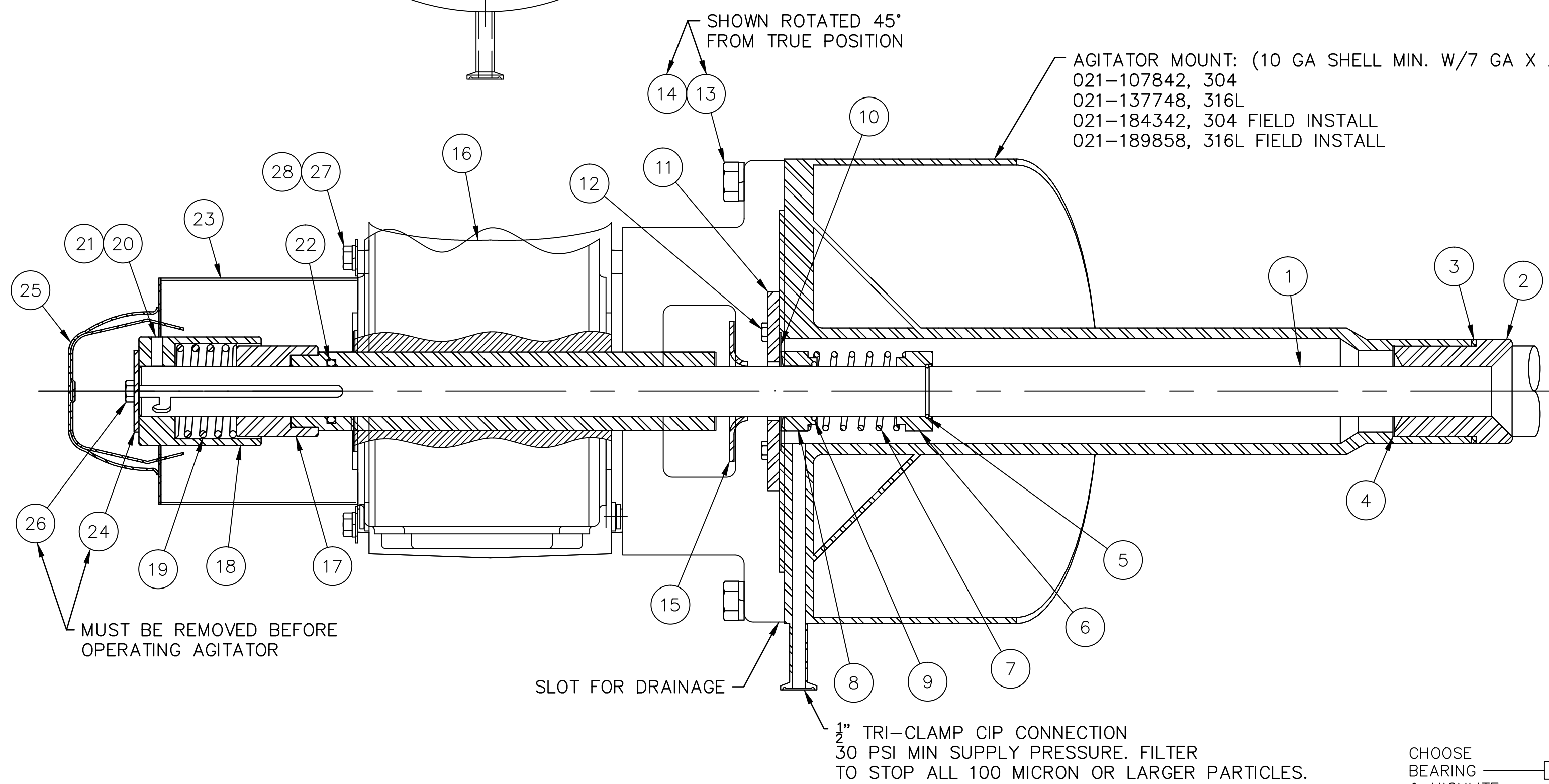
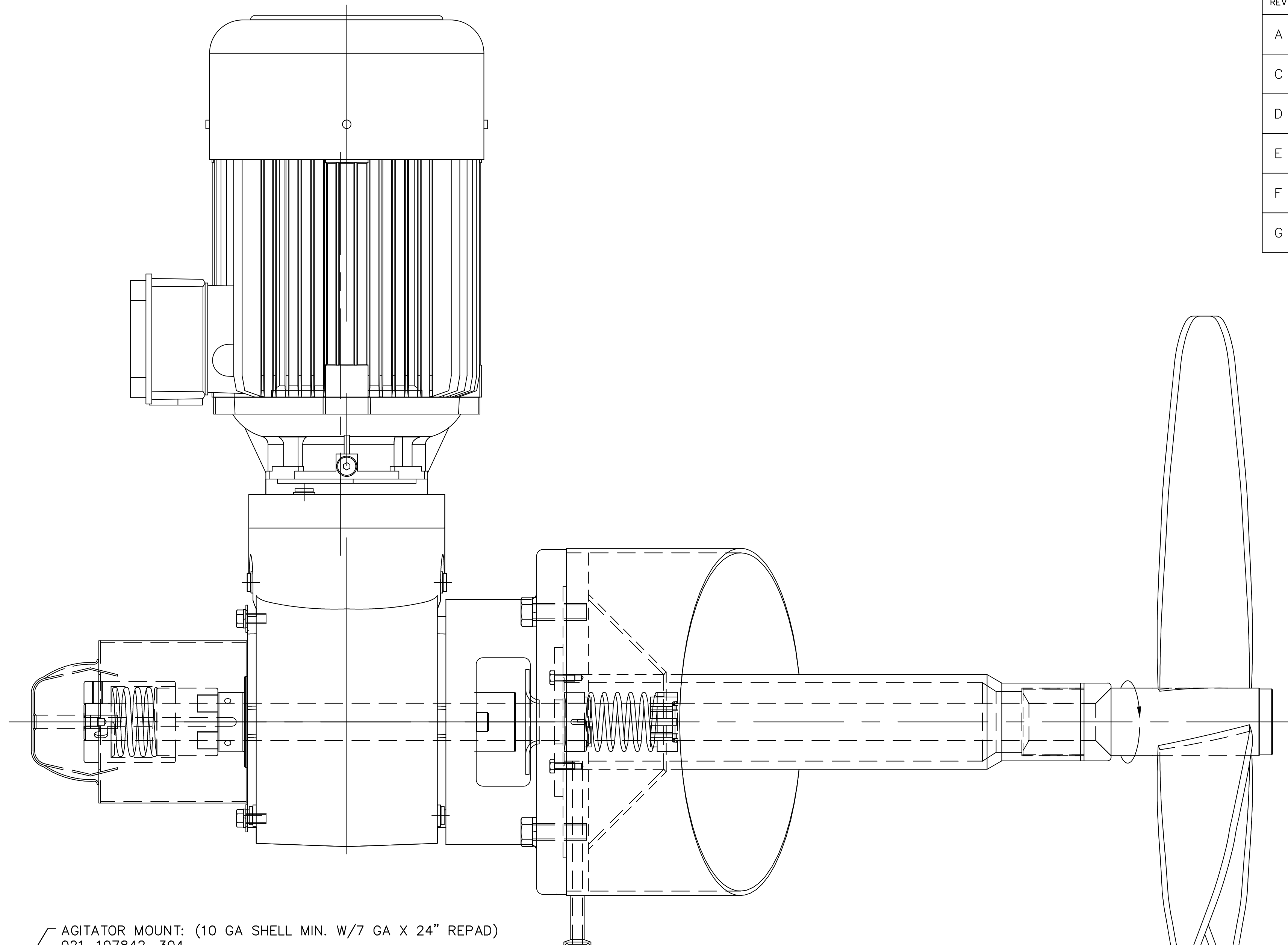
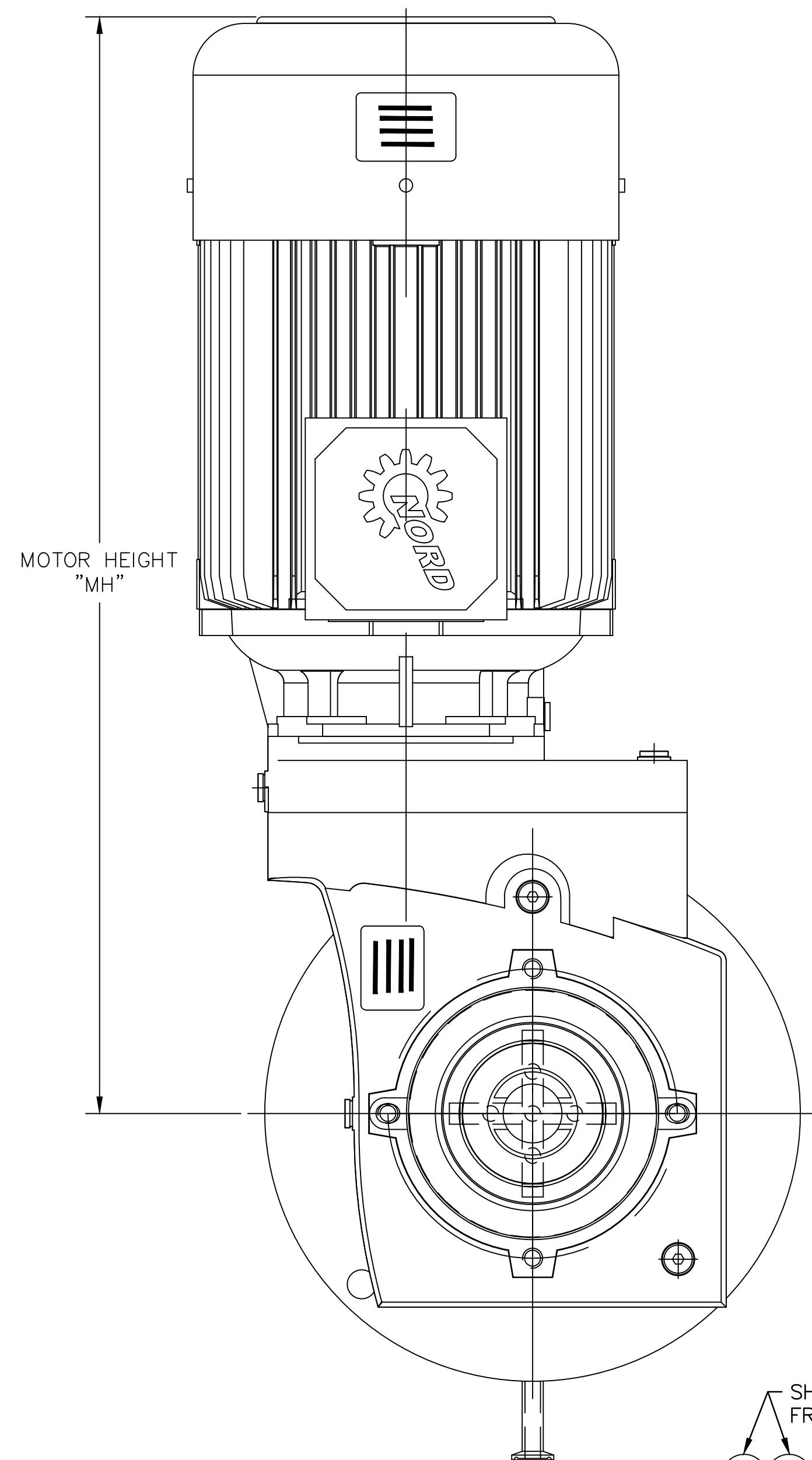


REV	REVISION DESCRIPTION	DATE	REV BY	APPRV
A	UPDATED ASSEMBLY		RDB	
C	REVISED BOM		KLZ	
D	UPDATED MATERIALS	3/06/06	GSM	
E	ADDED SECOND ITEM #2	2/23/07	DPB	GSM
F	UPDATED GEARMOTORS (ITEM #16) TO SK93772 (WAS SK92772), AND UPDATED ITEMS 23, 27 & 28.	5/13/16	VAD	GSM
G	ADDED 24" PROP SIZE OPTIONS TO ITEM 1	7/14/17	VAD	ASP



AGITATOR MOUNT: (10 GA SHELL MIN. W/7 GA X 24" REPAD)
 021-107842, 304
 021-137748, 316L
 021-184342, 304 FIELD INSTALL
 021-189858, 316L FIELD INSTALL

dc
 This drawing has been reviewed by DCI engineering.
 ENG. _____

ITEM NO.	PART NO.	QTY.	DESCRIPTION	MATL. SPEC.
28	913-915964	2	WASHER FLAT 12mm	18-8SS
27	913-S-NC-918943	2	BOLT HEX HD M12x1.75xL=15mm	304SS A2-70 CW
26	913-916609	1	BOLT HEX HD 5/16"-18 UNC X 1/2" LG	18-8SS
25	040-004604	1	GUARD,MACHINE,SHAFT,4.62 DIA	SA240,304
24	189-011295	1	SHIPPING PLATE,AGITATOR	SA240,304
23	040-243975	1	GUARD,MACHINE SHAFT,6.00 DIA	SA240,304
22	946-923837	1	O-RING 1.350 ID X 1.770 OD X .210 DIA #324	BUNA-N, 3A, FDA
21	913-917017	1	SCREW SET CUP PT 3/8"-16 UNC X 5/16" LG	18-8SS
20	174-088032	1	SC SET FULL DOG 3/8"-16,5 LG	18-8SS
19	081-010497	1	SPRING,2.18 ID,2.75 LG,.18 WIRE,5.5 TURNS,RH,GRD ENDS	302 SS
18	163-010498	1	COVER,AGITATOR COUPLING,1.37 ID,LH ROT	ALUMINUM
17	034-010496	1	COUPLING,AGIT,SIDE,1.385ID,2.25OD,2.25 LG	SA351,CF8M
16			SEE TABLE	
15	207-208276-3.871	1	UMBRELLA,1.18 ID,3.87 OD,.12 THK,1.375 DIA SHAFT	WHITE NEOPRENE
14	913-917209	4	WASHER LOCK 5/8"	18-8SS
13	913-916645	4	BOLT HEX HD 5/8"-11 UNC X 2" LG	18-8SS
12	913-916603	4	BOLT HEX HD 1/4"-20 UNC X 3/4" LG	18-8SS
11	132-107849	1	SEAL PLATE,AGIT,INTL SEAL,5.5 OD,1.62 ID,(4)28 HOLES,4.5 BC	SA47917-4
10	039-107851	1	GSKT,2.87 ID,3.25 OD,.06 THK	VITON
9	946-908574	1	O-RING 1.359 ID X 1.637 OD X .139 DIA #220 COMP #8718 PRCN	VITON/TEFLON
8	078-107845	1	SEAL,AGIT,SFT,SIDE,CIP,1.395-1.410 ID,2.18 OD,1 THK	RULON 123
7	081-113846	1	SPRING,AGIT,SFT,SIDE,MT,1.87 ID,3 LG,.15 WIRE,6 TURNS,RH,EP	302 SS
6	171-107844	1	COLLAR,SPG SEAT,1.378 ID,2.188 OD,1 THK,1.84 ID SPRING	SA351,CF8M
5	171-107854	1	RETAINING RING,CIP HW-4 AGS	18-8SS
4	039-107852	1	GSKT,2.5 ID,2.25 OD,.0625 THK	VITON
3	039-029888	1	GSKT,2.5 ID,2.87 OD,.12 THK,AGIT	ACETRON GP
2	193-217764	1	BRG,AGIT,SIDE,CIP,THD,1.38 ID,2.5-16 UN,3.25 LG,3A	ERTALYTE PET-P
1	193-029887	1	BRG,AGIT,SIDE,CIP,THD,1.38 ID,2.5-16 UN,3.25 LG,NOT 3A	RULON 1337
1			SEE TABLE	

PROP & SHAFT ASSEMBLY				
ITEM	PART NO.	QTY.	DESCRIPTION	MATL. SPEC.
1	149-107847	1	PROP & SFT ASSY,AGIT,SIDE,CIP,LH,30,30 PTCH.,31.1,37,37,37, 7.5 HP MAX	304
1	149-138808	1	PROP & SFT ASSY,AGIT,SIDE,CIP,LH,30,30 PTCH.,31.1,37,37,37, 7.5 HP MAX	316L
1	149-	1	PROP & SFT ASSY,AGIT,SIDE,CIP,LH,24,24 PTCH.,31.1,37,37,37, 7.5 HP MAX	304
1	149-250218	1	PROP & SFT ASSY,AGIT,SIDE,CIP,LH,24,24 PTCH.,31.1,37,37,37, 7.5 HP MAX	316L

5 HP					
ITEM	PART NO.	QTY.	DESCRIPTION	NORD PART NO.	"MH"
16	939-	1	NORD GEARMOTOR, 5 HP (SPECIFY RPM)	SK93772.1AF-100L/4	23-3/4"
16	939-	1	NORD GEARMOTOR, 4.8/2.4 HP (SPECIFY RPM)	SK93772.1AF-132S/8-4	?

7.5 HP					
ITEM	PART NO.	QTY.	DESCRIPTION	NORD PART NO.	"MH"
16	939-	1	NORD GEARMOTOR, 7.5 HP (SPECIFY RPM)	SK93772.1AF-132L/4	26-1/8"
16	939-	1	NORD GEARMOTOR, 6.8/3.4 HP (SPECIFY RPM)	SK93772.1AF-132M/8-4	?

This drawing is the property of DCI, Inc. and is transmitted in confidence. The reproduction, use, or disclosure, in whole or part, of the design contained herein is prohibited without the written consent of DCI, Inc.

ORDER NO.		AGIT ASSY,SIDE,GR,CIP,5 & 7.5 HP	
NO. REQD	REV	DATE	DO NOT SCALE DRAWING
	A	5-15-02	DIMENSIONS IN INCHES UNLESS SPECIFIED
	B	3-10-03	TOLERANCES UNLESS SPECIFIED
	C	12-2-04	PER DCI STANDARDS DWG. D020000
	D	2/23/07	

dc
 ST. CLOUD, MN

PROD RDB	APPLV	CHK
DATE	DATE	DATE
PREFIX	DWG NO.	REV
023-01	D203095	G