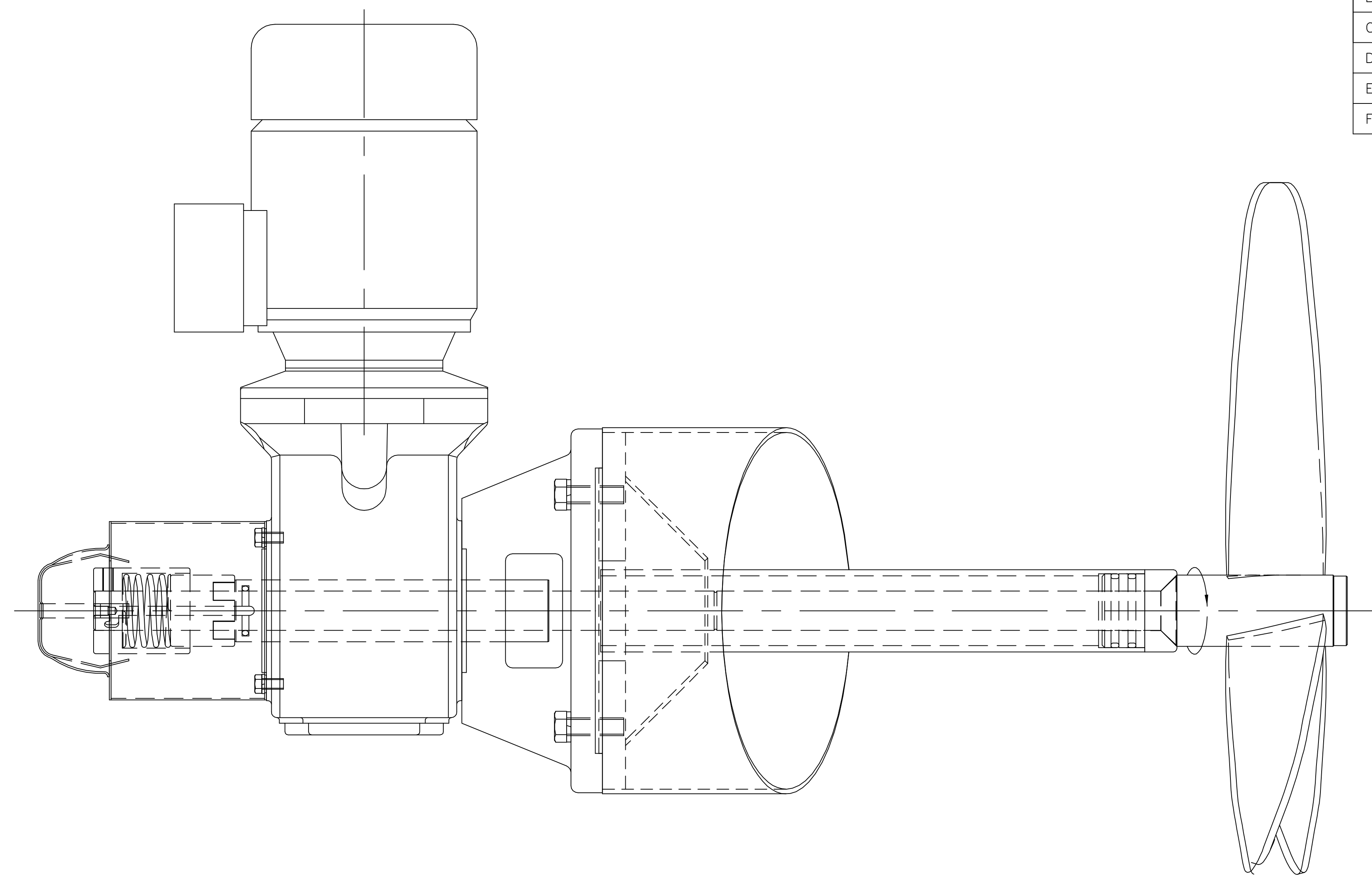
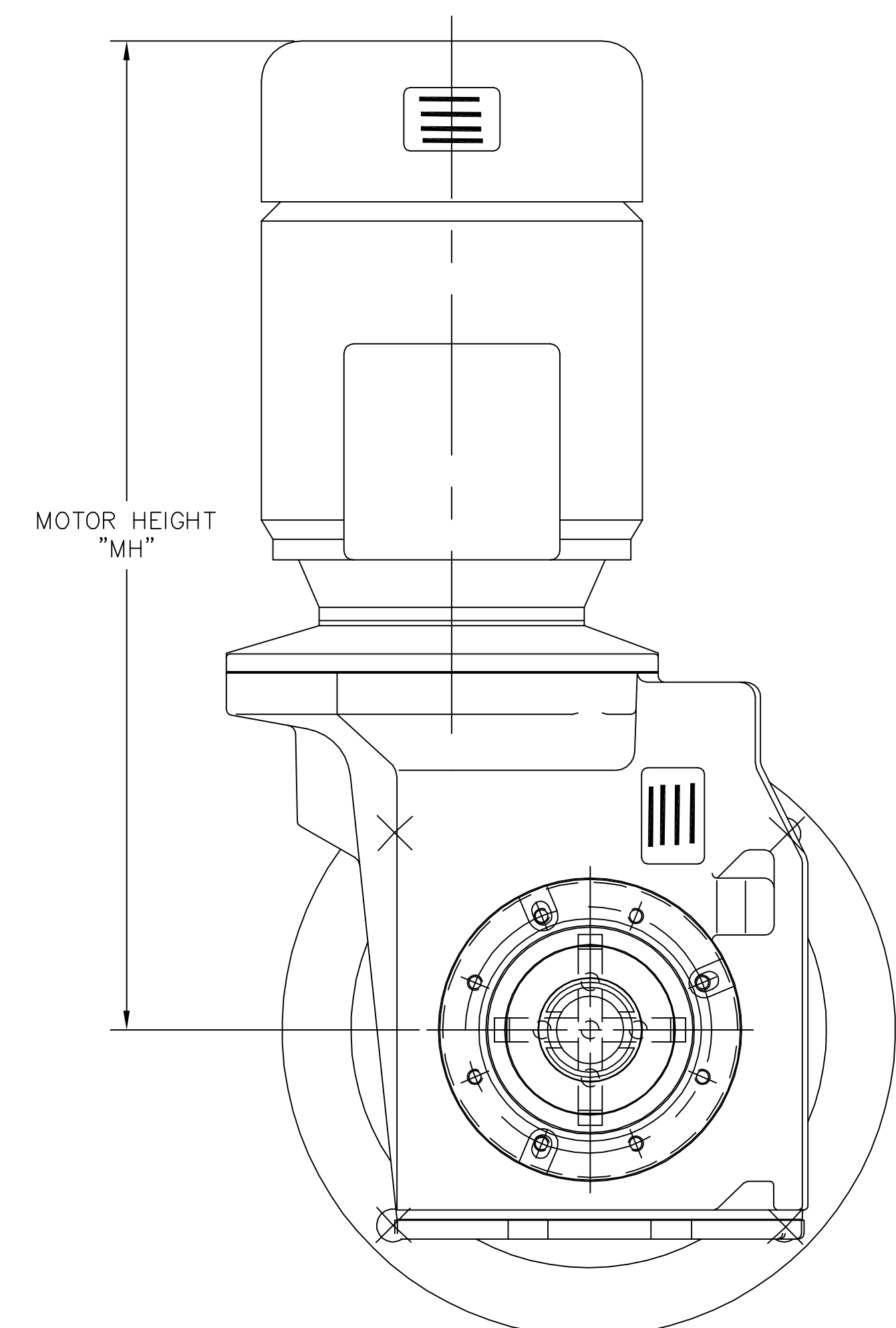
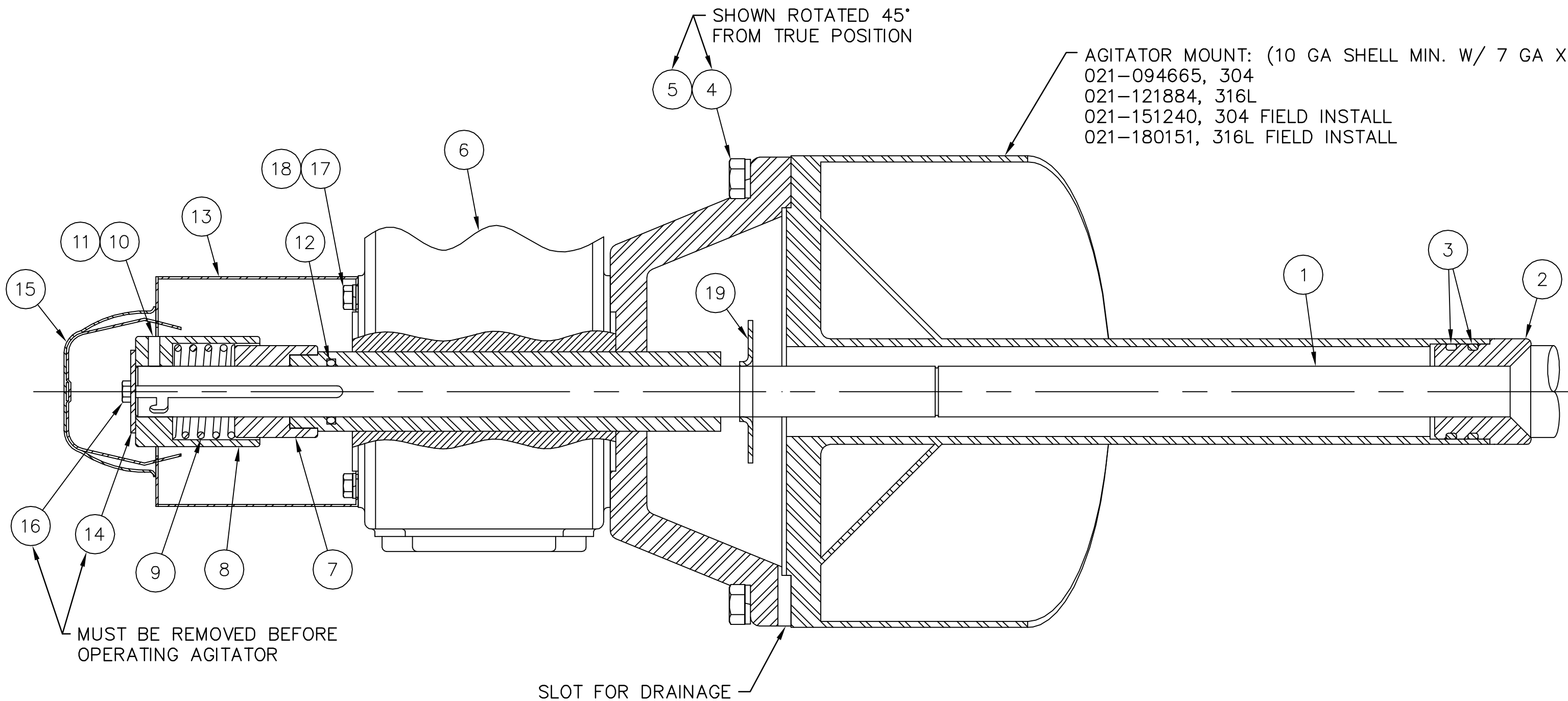


REV	REVISION DESCRIPTION	REV BY/DATE
A	UPDATED ASSY	RDB
B	7.5 HP SHOULD READ (SK92772AF-132S/4 NOT (SK92772AF-132L/4)	RB
C	UPDATED MATERIALS	GSM 3/6/6
D	ADDED 3-A NOTE	GSM 5/2/06
E	ADDED (#19) UMBRELLA TO DWG	NRD 3/5/07
F	ADDED 3 HP MOTOR, AND 24" PROPS	NRD 12/3/08



**dc**  
 This drawing has been reviewed by  
 DCI engineering.  
 ENG. \_\_\_\_\_



3-A BEARING DESIGN  
 FDA, NOT 3-A

BEARING				
ITEM	PART NO.	QTY.	DESCRIPTION	MATL. SPEC.
2	193-217763	1	BRG,AGIT,SIDE,NON-CIP,O-RING,1.38 ID,2.58 DIA,2.63 LG	ERTALYTE PET-P
2	193-145481	1	BRG,AGIT,SIDE,NON-CIP,O-RING,1.38 ID,2.58 DIA,2.63 LG (HI TEMP/OIL)	RULON 1337
2	193-013247	1	BRG,AGIT,SIDE,NON-CIP,O-RING,1.38 ID,2.58 DIA,2.63 LG (STANDARD)	RULON 1337

PROP & SHAFT ASSEMBLY				
ITEM	PART NO.	QTY.	DESCRIPTION	MATL. SPEC.
1	149-107847	1	PROP & SFT ASSY,AGIT,SIDE,CIP,LH,30,30 PTCH,,31,1.37,37.37	304
1	149-138808	1	PROP & SFT ASSY,AGIT,SIDE,CIP,LH,30,30 PTCH,,31,1.37,37.37	316L
1	149-167964	1	PROP & SFT ASSY,AGIT,SIDE,CIP,LH,24,24 PTCH,,31,1.37,37.37	304
1	149-127286	1	PROP & SFT ASSY,AGIT,SIDE,CIP,LH,24,24 PTCH,,31,1.37,37.37	316L

3 HP					
ITEM	PART NO.	QTY.	DESCRIPTION	NORD PART NO.	"MH"
6	939-	1	NORD GEARMOTOR, 3 HP (SPECIFY RPM)	SK92772AF-100L/4	20-9/16"

5 HP					
ITEM	PART NO.	QTY.	DESCRIPTION	NORD PART NO.	"MH"
6	939-	1	NORD GEARMOTOR, 5 HP (SPECIFY RPM)	SK92772AF-100L/40	20-9/16"
6	939-	1	NORD GEARMOTOR, 4.8/2.4 HP (SPECIFY RPM)	SK92772AF-132S/8-4	20-9/16"

7.5 HP					
ITEM	PART NO.	QTY.	DESCRIPTION	NORD PART NO.	"MH"
6	939-	1	NORD GEARMOTOR, 7.5 HP (SPECIFY RPM)	SK92772AF-132S/4	25-5/16"
6	939-	1	NORD GEARMOTOR, 6.8/3.4 HP (SPECIFY RPM)	SK92772AF-132M/8-4	25-5/16"

19	207-208276	1	ISOLATION SEAL / UMBRELLA,1.000 ID,3.875 OD,.12 THK	WHITE NEOPRENE
18	913-917206	3	WASHER LOCK 3/8"	18-8SS
17	913-910852	3	SCREW SOC CAP M8 X 15MM LG	18-8SS
16	913-916609	1	BOLT HEX HD 5/16"-18 UNC X 1/2" LG	18-8SS
15	040-004604	1	GUARD,MACHINE,SHAFT,4.62 DIA	SA240,304
14	189-011295	1	SHIPPING PLATE,AGITATOR	SA240,304
13	040-203096	1	GUARD,MACHINE SHAFT,6.25 DIA	SA240,304
12	946-923837	1	O-RING 1.350 ID X 1.770 OD X .210 DIA #324	BUNA-N, 3A, FDA
11	913-917017	1	SCREW SET CUP PT 3/8"-16 UNC X 5/16" LG	18-8SS
10	174-088032	1	SC SET FULL DOG 3/8"-16,5 LG	18-8SS
9	081-010497	1	SPRING,2.18 ID,2.75 LG,.18 WIRE,5.5 TURNS,RH,GRD ENDS	302 SS
8	163-010498	1	COVER,AGITATOR COUPLING,1.37 ID,LH ROT	ALUMINUM
7	034-010496	1	COUPLING,AGT,SIDE,1.385ID,2.25OD,2.25 LG	SA351,CF8M
6			SEE TABLE	
5	913-917209	4	WASHER LOCK 5/8"	18-8SS
4	913-916645	4	BOLT HEX HD 5/8"-11 UNC X 2" LG	18-8SS
3	946-923842	2	O-RING 2.225 ID X 2.645 OD X .210 DIA #331	BUNA-N, 3A, FDA
2			SEE TABLE	
1			SEE TABLE	

This drawing is the property of DCI, Inc. and is transmitted in confidence. The reproduction, use, or disclosure, in whole or part, of the design contained herein is prohibited without the written consent of DCI, Inc.

ORDER NO. \_\_\_\_\_

NO. REQD \_\_\_\_\_

AGIT ASSY,SIDE,GR,NON-CIP,5 & 7.5 HP

REV	DATE	DO NOT SCALE DRAWING	PROD	APPVL	CHK
A	5-15-02	DIMENSIONS IN INCHES UNLESS SPECIFIED	RDB		
B	5-19-05	TOLERANCES UNLESS SPECIFIED			
C	6-14-05	PER DCI STANDARDS DWG. D020000			
D					

REF DWG NO. D147533 SCALE: 3/8

**dc**  
 ST. CLOUD, MN

PREFIX 023-02 DWG NO. D203103 REV F