



The Complete Package  
For Your Agitation Needs  
Dissolves, Disperses, Mixes and Blends  
**Flexibility Plus!**

## DUAL-AGITATED MIX TANKS

DCI dual-agitated tanks are ultra efficient for your high viscosity products requiring rapid mixing and uniform heating and/or cooling all in **one** design!

When you're looking for quality, you'll find it with any DCI product.

We conform to your specifications and requirements.

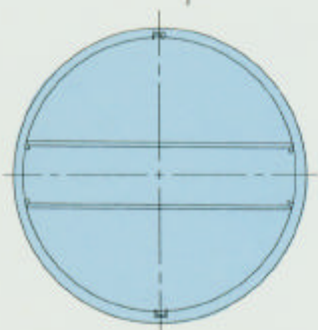
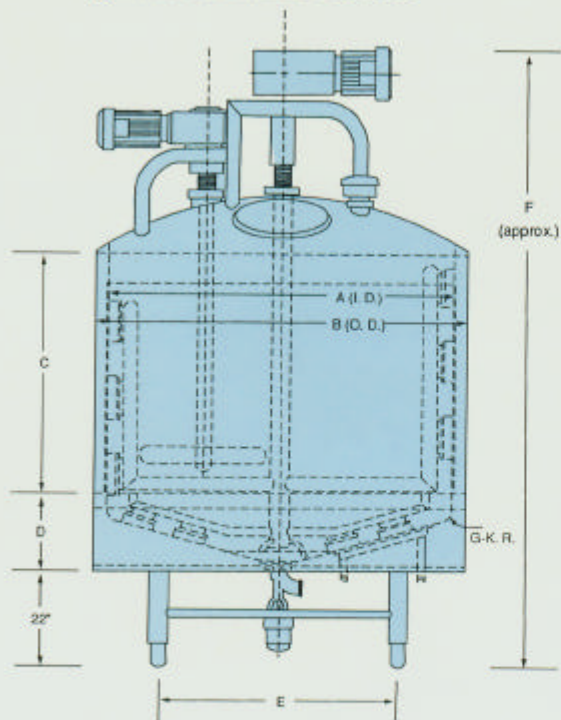
We care about quality.

We care about your satisfaction.

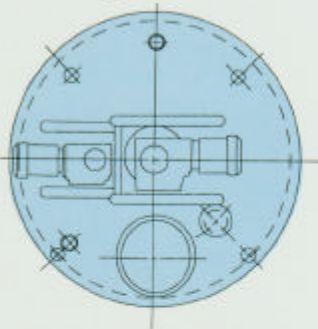


# STANDARD SPECIFICATIONS

## Dual-Agitated Mix Tanks



**Bridge and Cover**



**Dome Top**

**LINER:** Type 316L #4 (150 grit) polish stainless steel.

**OUTER JACKET:** Type 304 #4 (150 grit) polish stainless steel. 2B finish exterior bottom.

**INSULATION:** 2" on sidewall and bottom.

**TOP HEAD:** Dome style with 18" diameter hinged and gasketed manhole cover. Option: center bridge with hinged covers.

**INLET:** 2" ferrule in top head.

**WELL:** Projectile style in sidewall.

**OUTLET:** 3" flush mounted flange.

**CIP:** 1 1/2" ferrule with T-ball.

**AGITATORS:** Bottom and side scraped surfaces with 2-speed, 3 phase, 60 cycle, TEFC gear motor drive. Offset 4-bladed turbine. Adjustable baffle. Optional adjustable frequency control for turbine.

**VENT:** Atmospheric style in top of head.

**LEGS:** Stainless steel with adjustable sanitary type ball feet.

**HEAT TRANSFER:** Stainless steel dimpled, baffled surface designed for 60 PSIG at temperatures of -20° to +300°F. Option: ASME Stamp.

### DIMENSIONS AND WEIGHTS\*

Gal.	A	B	C	D	E	F	G	WT. (lbs)
200	47 1/2	52 1/4	26	7 3/4	32 1/2	94	1 1/2	2300
300	47 1/2	52 1/4	40	7 3/4	32 1/2	108	1 1/2	2700
400	49 1/2	54 1/4	48	8	34	114	1 1/2	3000
500	56 3/4	61 1/2	48	9	39	116	1 1/2	3300
600	56 3/4	61 1/2	54	9	39	122	1 1/2	3600
800	61 3/4	66 1/2	60	9 1/2	42 1/2	136	1 1/2	3900
1000	72	76 3/4	54	11 1/2	50	130	2	4200
1500	84	88 3/4	62	13	58 1/2	140	2	5200
2000	86	90 3/4	76	14	59 3/4	152	3	5800
2500	96	100 3/4	78	15 1/2	67	156	3	6400
3000	96	100 3/4	92	15 1/2	67	170	3	7000

\*All dimensions and weights are approximate



600 North 54 Avenue  
 P.O. Box 1227  
 St. Cloud, MN 56302  
 (320) 252-8200 / FAX (320) 252-0866

DCI serves the Dairy, Food, Beverage, Chemical and Pharmaceutical Industries. Our capabilities, experience, craftsmanship and controls provide quality; conformance to your requirements in design, engineering and performance. Catalogs, data, consultation and quotations upon request.